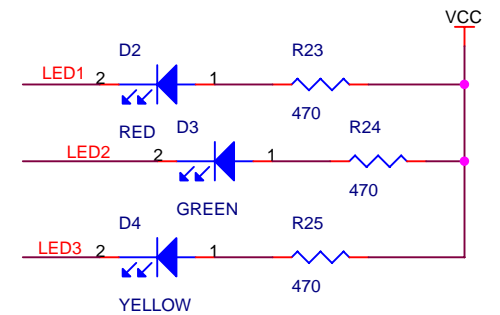
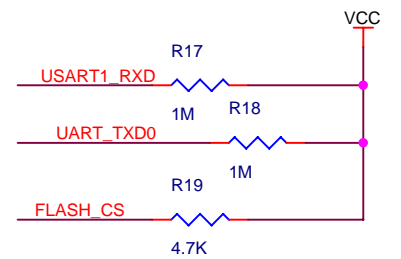
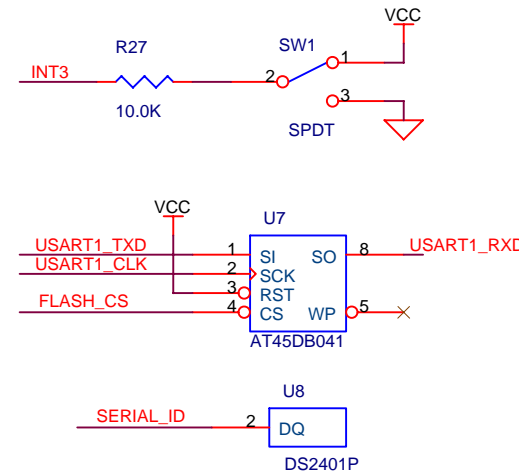
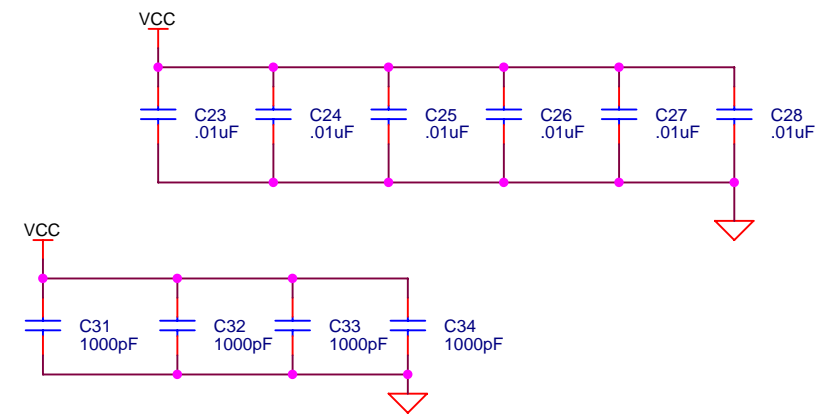


RADIO CONTROL
PCLK
PDATA
PALE

FLASH INTERFACE
FLASH_SI
FLASH_SO
FLASH_CLK
SERIAL_ID
UART INTERFACE
UART_RXD0
UART_TXD0
CONTROL INTERFACE
I2C_CLK
I2C_DATA

SENSOR INTERFACE
Pw[0..7]
ADC[1..6]
VCC MONITOR
ADC7



CRICKET V2.0
 NETWORKS AND MOBILE SYSTEMS GROUP
 CSAIL@MIT
 LEAD DESIGNER: NISSANKA B. PRIYANTHA

DWN	M. GRIMMER	DATE	9-2-03	Crossbow Technology 41 Daggett Drive San Jose, CA. 95134	
CHK	M. GRIMMER	DATE	9-2-03		
APRVD				Title	
X		XX/XX/XX		MTS450CA CRICKET RS232	
APRVD				Size	Document Number
X		XX/XX/XX		B	6310-0335-01
			Date:	Wednesday, October 20, 2004	Sheet 3 of 6
				Rev	A

EXCEPT AS MAY BE OTHERWISE PROVIDED BY CONTRACT, THIS DRAWING OR SPECIFICATION IS THE PROPRIETARY PROPERTY OF CROSSBOW TECHNOLOGY INC. IT IS ISSUED IN STRICT CONFIDENCE AND SHALL NOT BE REPRODUCED OR COPIED OR USED (PARTIALLY OR WHOLLY) IN ANY MANNER WITHOUT PRIOR EXPRESS WRITTEN AUTHORIZATION OF CROSSBOW TECHNOLOGY INC.